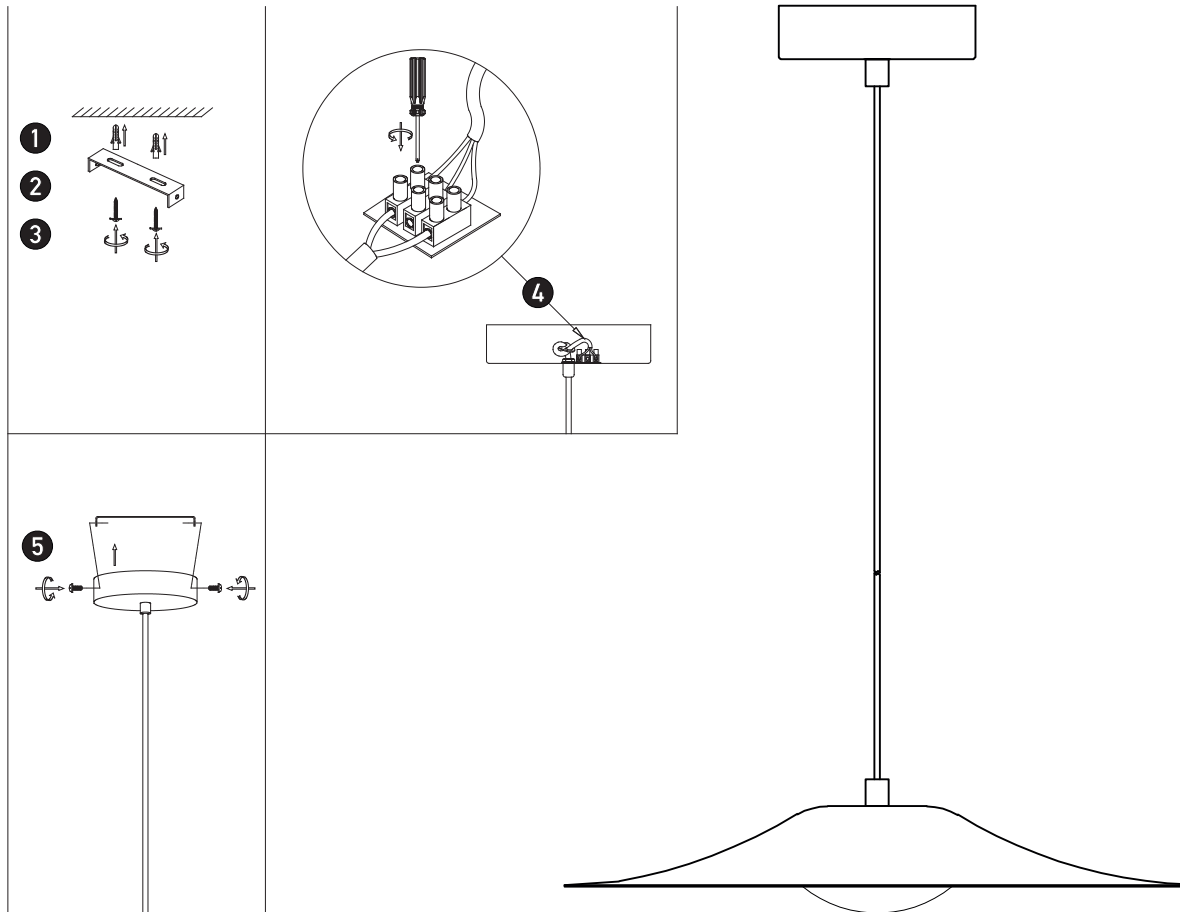


Connecting the Terminal Block

Connect main supply (brown - Live, blue - Neutral) into terminal block making sure all connections are tight.



PENDANT LIGHT


22130 

Please read instructions before commencing installation and retain for future reference.

SPECIFICATIONS

- **Material:** Metal + Acrylic
- **Lamp type:** LED , 10W , 3000K , 1000Lm , CRI80
- **Ingress Protection:** IP20. Protection against entry of solid objects greater than 12mm in diameter.

INSTALLATION INSTRUCTIONS

 Electrical products can cause death, injury, or damage to property. Maintenance and installation should only be carried out by a professional electrician.

- Ensure main supply is switched off.
- Insert the masonry plugs (1) into the mounting surface.
- Fit the mounting bracket (2) onto the mounting surface with the self-tapping screws (3).
- Connect main supply wires to terminal block (4) making sure all connections are tight.
- Fit the ceiling plate onto the mounting bracket with the screws (5).
- Reconnect power.

WARNING

- Make sure that the products is installed properly before connecting to electricity.
- Do not cover the fitting.
- Not for outdoor use or in wet conditions.

